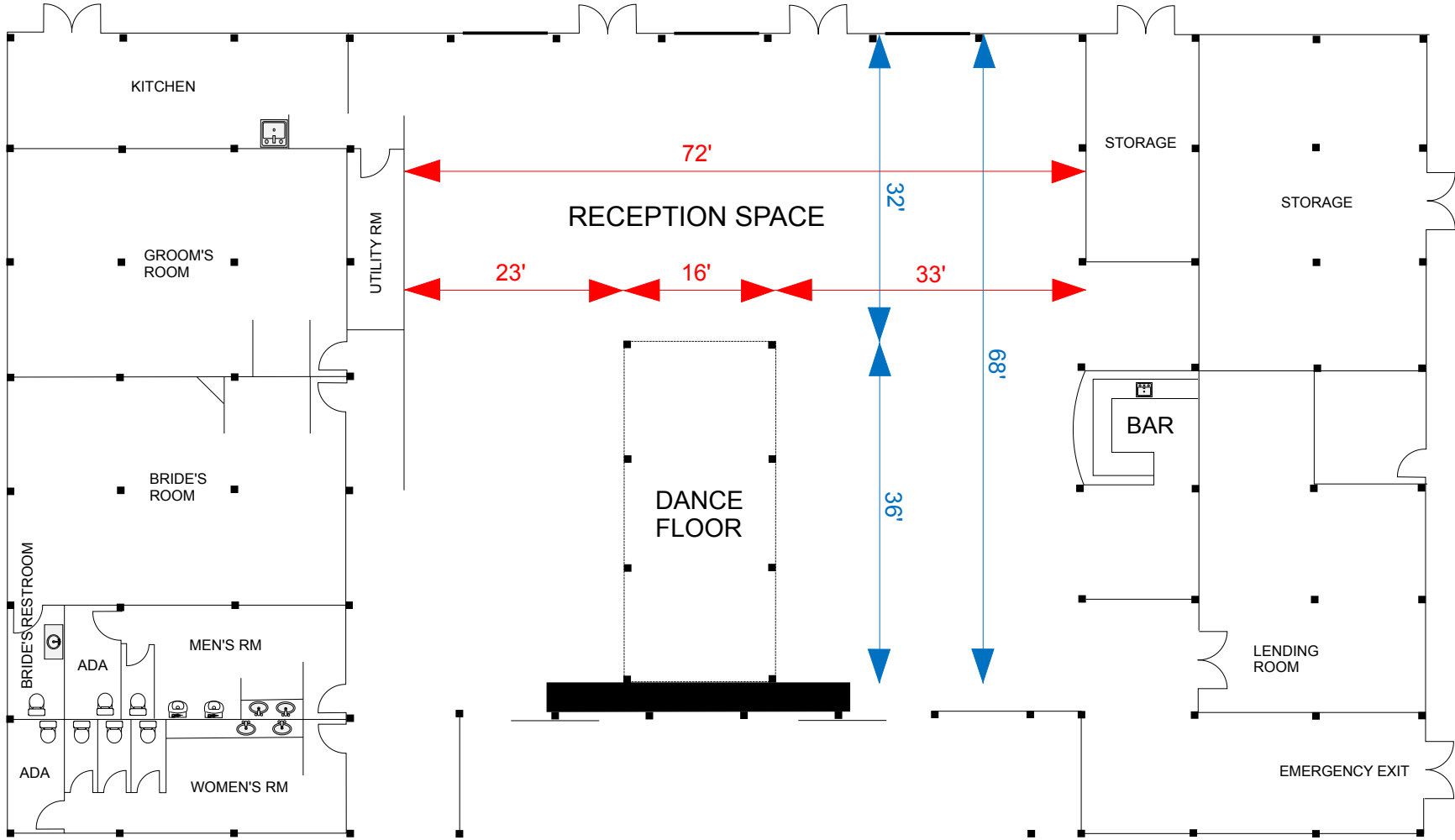
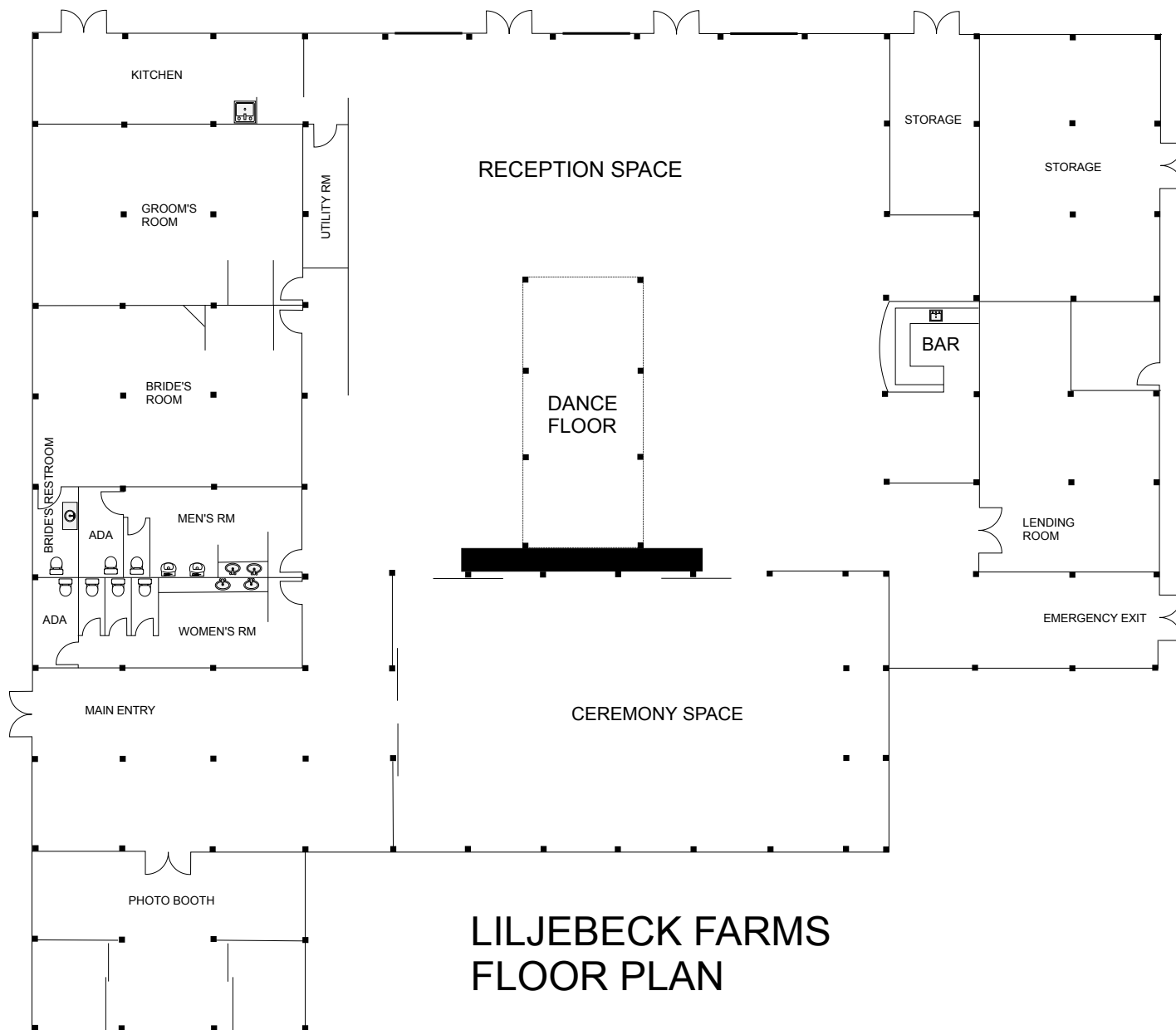


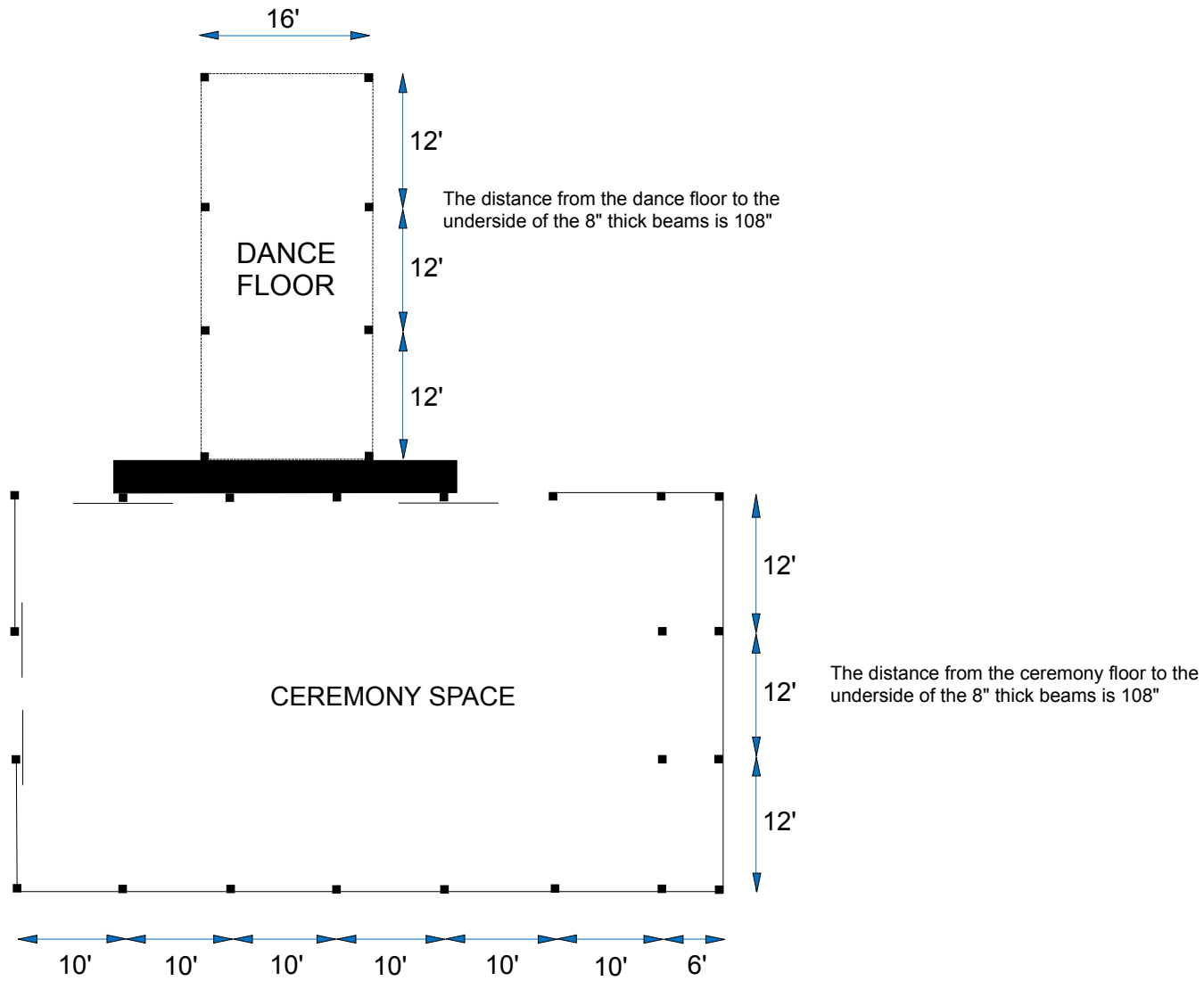
LILJEBECK FARMS
FLOOR PLAN



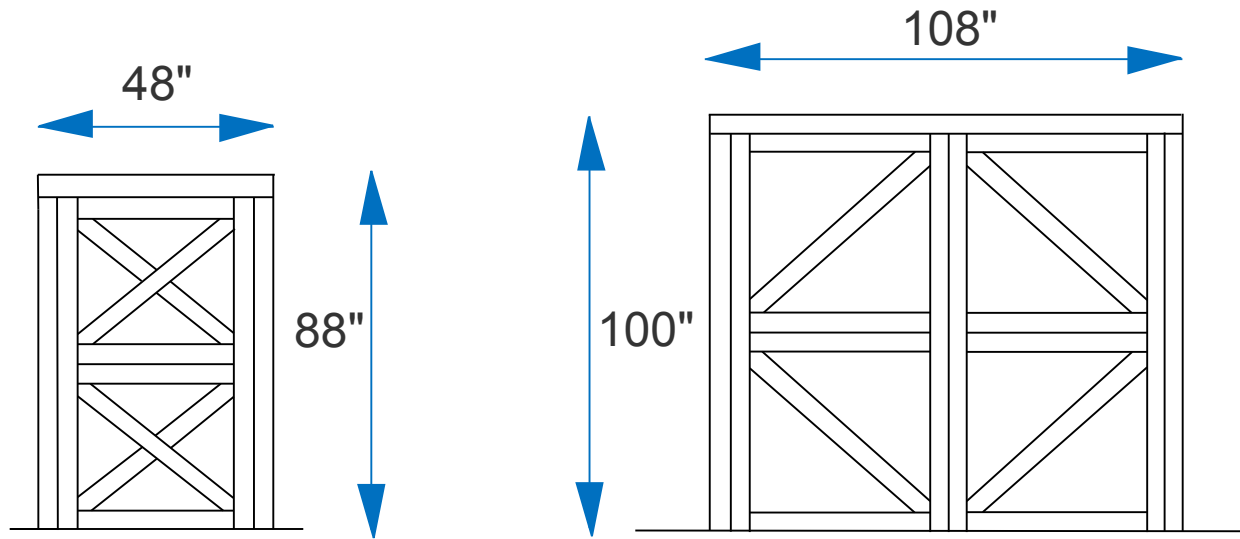


LILJEBECK FARMS FLOOR PLAN

DIMENSIONS AT DANCE AND CEREMONY FLOORS



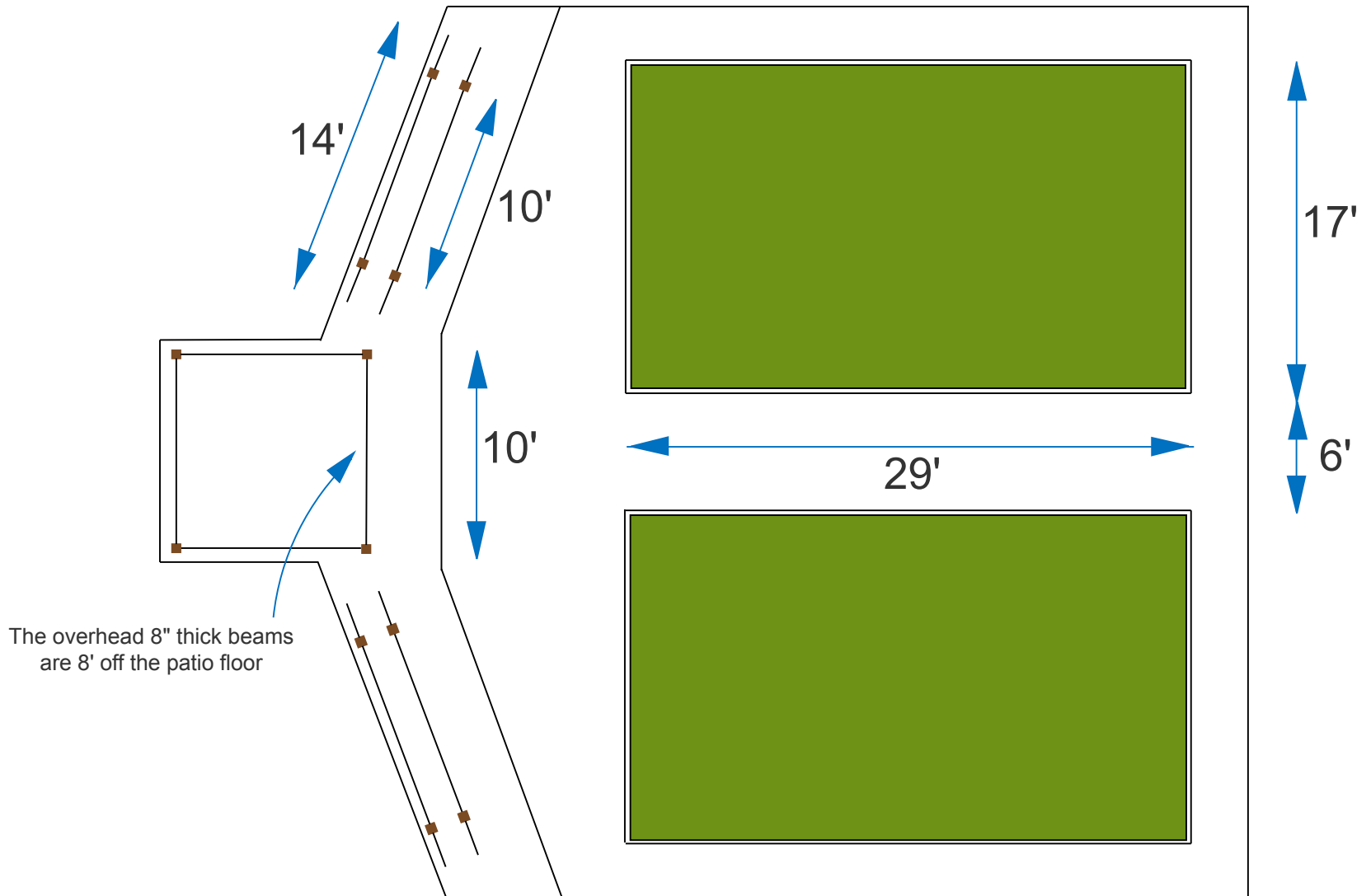
FALSE DOORS



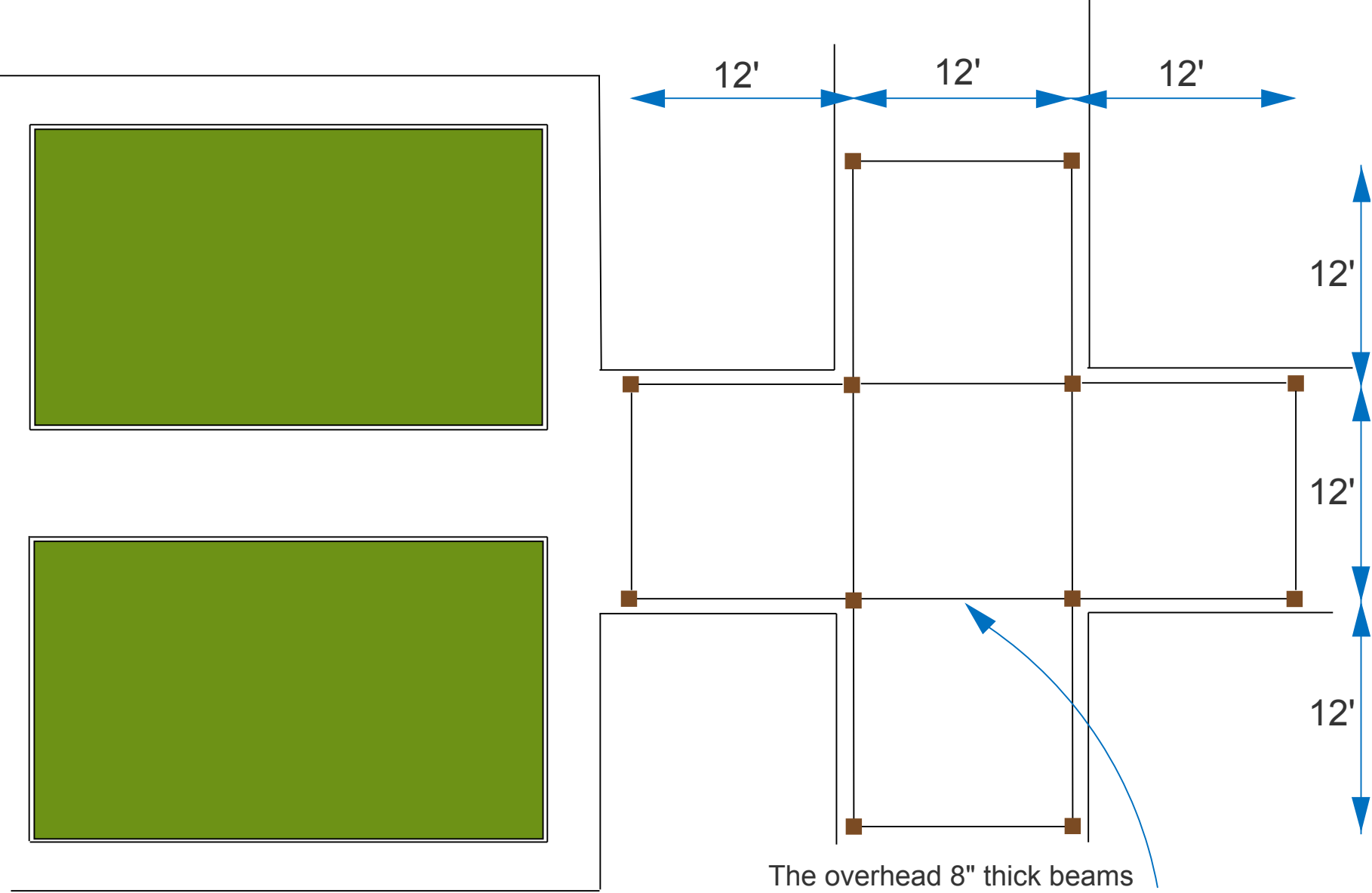
CEREMONY

CEREMONY &
DANCE FLOOR

OUTDOOR CEREMONY AREA



OUTDOOR STRUCTURE AT CEREMONY LAWN



The overhead 8" thick beams are 8' above the patio floor